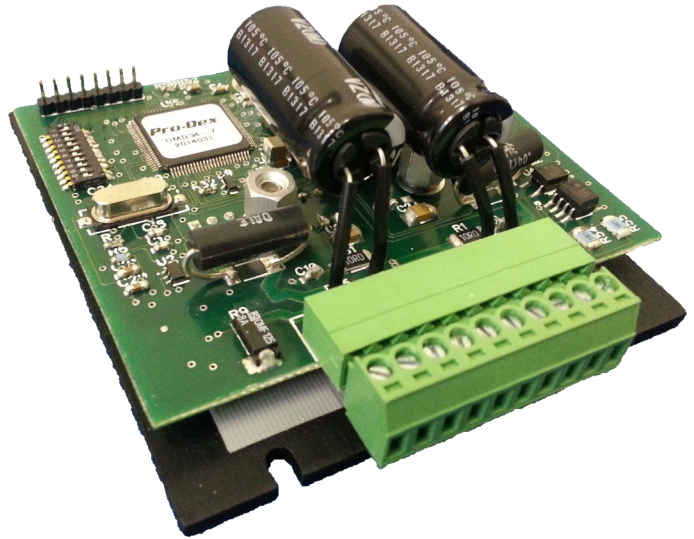


OMD 34, Motor Drive

The OMD34 is an advanced microstepping motor drive for bi-polar stepper motors. This drive is capable of microstepping from half steps up to 256 microsteps per step. The small size (3" x 3.25") is mounted on a flat heat-sink plate and utilizes screw-terminal connectors for ease of wiring.



- Step resolutions from half to 1/256 microsteps
- Bi-polar chopper drive
- Single +18V to 80V motor supply input
- 0.0 to 7Amp phase current
- Microstepping and phase current are selectable
- Electronically isolated control signals

"The Company in Motion"™

OMS Motion

15201 NW Greenbrier Pkwy, B-1
Beaverton, Oregon 97006

Phone: 503-629-8081

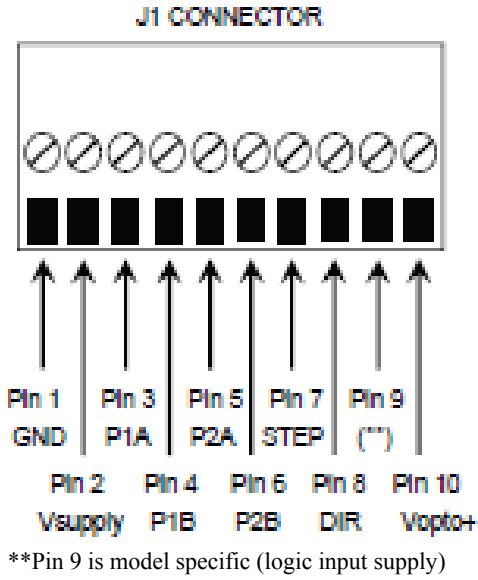
Fax: 503-629-0688

E-mail: SalesOR@Pro-Dex.com

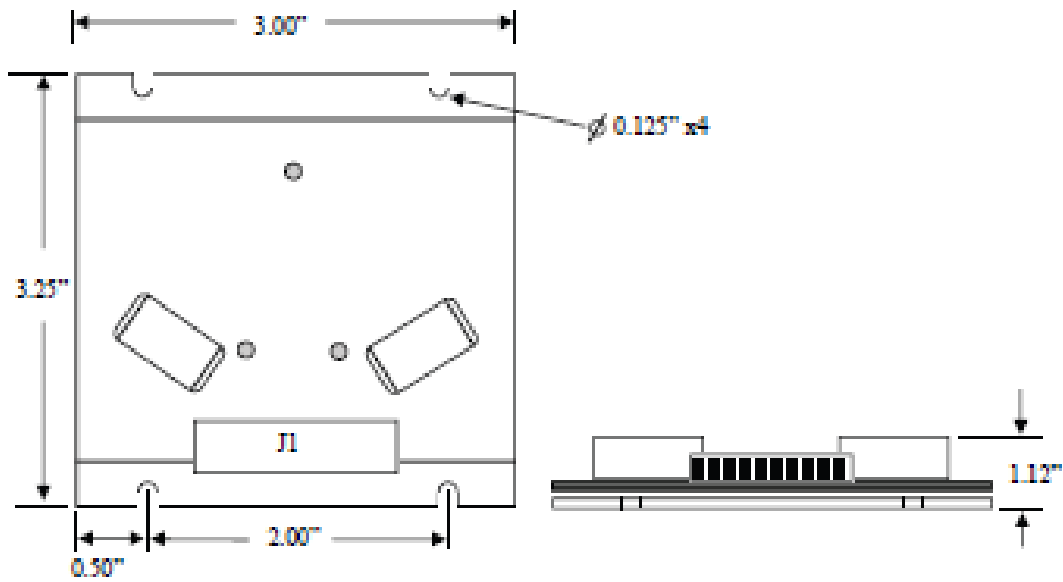
www.OMSmotion.com



"The Company in Motion"™



Pin-out Diagram



Dimensions



ISO 9001
QMI-SAI Global

OMS Motion

15201 NW Greenbrier Pkwy, B-1
Beaverton, OR 97006

ORDERING INFORMATION	
Model	Description
OMD34	Microstep Drive, 7A

Phone: 1(800) 707-8111, 503-629-8081

Fax: 503-629-0688

www.OMSmotion.com



3701-##### rev.B